

TYPE J SAFETY JOINTS

Overview

The Logan Type J Safety Joint provides a release option from tools such as taper taps or die collars that are normally non-releasable. It also provides a way to connect or disconnect fishing string and stuck fish.

Construction

Simple two-piece construction made of heat-treated alloy steel allows easy make-up and release. Special shear screws securely fasten the tool to prevent accidental unlatching before the fish is engaged.

Operation

The lugs on the top half of the Logan Type J Safety Joint are secured when they engage with the J-slots on the bottom half.

To Release the Safety Joint

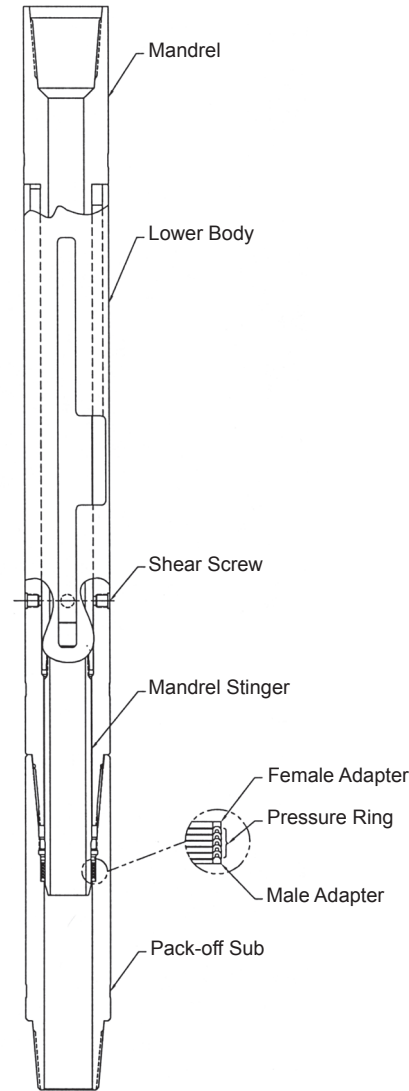
Once the fish is engaged, a tension load is applied to the string to shear the shear screws. After the screws have been sheared and the tension released, slight left-hand torque is applied to the string while it is elevated. The lugs will shift into the release slots and the two halves of the safety joint will separate.

To Reengage the Safety Joint

Slowly rotate the string to the right. Lower the string until the lugs on the top half engage the J-slots in the lower half. Stop rotation. Maintain right-hand torque on the lowered string until the joint is fully engaged. The joint will remain engaged until it is released.

When ordering, please specify:

- (1) Complete assembly or part number
- (2) O.D. of assembly
- (3) Size and type of connection
- (4) O.D., if other than standard. For oversize, add 10% for each additional 1/4" or portion thereof to Pin Section and Box Section.



STANDARD TOOL O.D.		4-1/8	4-3/4	6-1/4	7-3/4			
COMPLETE ASSEMBLY	Logan Part No.	610-413	610-475	610-625	610-775			
MANDREL	Logan Part No.	Y7000	Y7001	Y7002	Y7003			
MANDREL STINGER	Logan Part No.	Y8000	Y8001	Y8002	Y8003			
LOWER BODY	Logan Part No.	Y9000	Y9001	Y9002	Y9003			
PACK-OFF SUB	Logan Part No.	Y10000	Y10001	Y10002	Y10003			
GLAND NUT	Logan Part No.	Y11000	Y11001	Y11002	Y11002			
FEMALE ADAPTER	Logan Part No.	SC3131-480	SC2652-480	SC3123-480	SC3433-480			
MALE ADAPTER	Logan Part No.	SC3132-280	SC2652-280	SC3123-280	SC3433-280			
CHEVRON PACKING	Logan Part No.	SC3132-160	SC2652-160	SC3123-160	SC3433-160			
SHEAR SCREW	Logan Part No.	Y12000	Y12000	Y12000	Y12000			
	No. Req'd.	2	2	4	4			
GLAND WRENCH	Logan Part No.	Y13000	Y13001	Y13002	Y13002			

Logan Oil Tools reserves the right to change or discontinue designs without notice.