

THREADED CUP JUNK SUBS

Overview

The Logan Threaded Cup Junk Sub is an accessory tool that prevents cuttings from milling or drilling operations that are too heavy to be circulated from settling at the bottom of the hole. The removable threaded cup design allows easy inspection of the body. Damaged cups can easily be removed and replaced.

Construction

The Logan Threaded Cup Junk Sub is manufactured from high strength, heat-treated alloy steel to withstand wear.

The tool's strength is further enhanced by cup support ribs that are machined from the main body of the tool, not welded. These heavy-duty ribs support the cup and guide the tool through tight places and prevent it from being crushed.

The standard assembly has a 20-inch-deep cup. Standard (20-inch) and long (30-inch) cup lengths are available.

Assembly

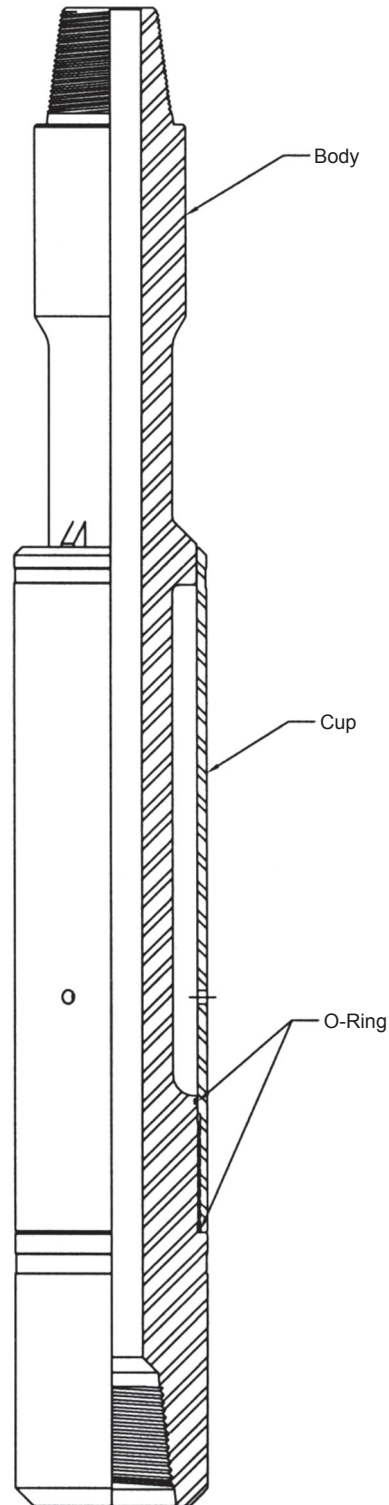
Threaded cup junk subs are placed directly above the mill or drill bit. For severe milling jobs, it is customary to run two or three junk subs in tandem above the mill to increase cutting removal capacity and provide extra stabilization for the mill.

Operation

Threaded cup junk subs can be run in an open hole or inside casing. When running inside casing, hard-faced pads dressed to the same O.D. as the mill or bit should be used.

When ordering, please specify:

- (1) Complete assembly number
- (2) Size and type of connections
- (3) Cup length



THREADED CUP JUNK SUBS

CASING SIZE RANGE (HOLE SIZE)		4-1/4 to 5-5/8	4-5/8 to 4-7/8	4-5/8 to 4-7/8	5-1/8 to 5-7/8	6 to 6-3/8	6-1/2 to 7-1/2
CONNECTION (STD API REG)	2-3/8	2-3/8	2-7/8	2-7/8	3-1/2	3-1/2	3-1/2
DIAMETER OF BORE	3/4	3/4	1-1/4	1-1/4	1-1/2	1-1/2	1-1/2
O.D. OF TOP CONNECTION BODY	2-15/16	3-1/8	3-1/2	3-1/2	4-1/4	4-1/4	4-1/4
O.D. UNDER TOP CONNECTION	2	2	2-5/8	2-5/8	3-1/8	3-1/4	3-1/4
O.D. OF CUP (Determines Part Number)	3-1/2	3-3/4	4	4-1/4	4-1/2	5	5-1/2
I.D. OF CUP	3	3-5/16	3-9/16	3-3/4	4-1/4	4-9/16	4-7/8

STANDARD TYPE

CUP LENGTH (INCHES)		10	10	10	10	10	10	
COMPLETE ASSEMBLY	Logan Part No.	201-014-10	201-000-10	201-013-10	201-001-10	201-002-10	201-003-10	201-004-10
BODY	Logan Part No.	KA1014-10	KA1000-10	KA1013-10	KA1001-10	KA1002-10	KA1003-10	KA1004-10
O-RING FOR GROOVE	Logan Part No.	*	568-234	*	*	*	568-244	568-247
O-RING FOR THREADED	Logan Part No.	*	568-151	*	*	*	568-157	568-157
RELIEF GROOVE								
THREADED CUP	Logan Part No.	KA2014-10	KA2000-10	KA2013-10	KA2001-10	KA2002-10	KA2003-10	KA2004-10

LONG TYPE

CUP LENGTH (INCHES)		20	20	20	20	20	20	
COMPLETE ASSEMBLY	Logan Part No.	201-014-20	201-000-20	201-013-20	201-001-20	201-002-20	201-003-20	201-004-20
BODY	Logan Part No.	KA1014-20	KA1000-20	KA1013-20	KA1001-20	KA1002-20	KA1003-20	KA1004-20
O-RING FOR GROOVE	Logan Part No.	*	568-234	568-237	*	*	568-244	568-247
O-RING FOR THREADED	Logan Part No.	*	568-151	568-238	*	*	568-157	568-157
RELIEF GROOVE								
THREADED CUP	Logan Part No.	KA2014-20	KA2000-20	KA2013-20	KA2001-20	KA2002-20	KA2003-20	KA2004-20

EXTRA LONG TYPE

CUP LENGTH (INCHES)		30	30	30	30	30	30	
COMPLETE ASSEMBLY	Logan Part No.	201-2014-30	201-000-30	201-013-30	201-001-30	201-002-30	201-003-30	201-004-30
BODY	Logan Part No.	KA1014-30	KA1000-30	KA1013-30	KA1001-30	KA1002-30	KA1003-30	KA1004-30
O-RING FOR GROOVE	Logan Part No.	*	568-234	568-237	*	*	568-244	568-247
O-RING FOR THREADED	Logan Part No.	*	568-151	568-238	*	*	568-157	568-157
RELIEF GROOVE								
THREADED CUP	Logan Part No.	KA2014-30	KA2000-30	KA2013-30	KA2001-30	KA2002-30	KA2003-30	KA2004-30

Logan Oil Tools reserves the right to change or discontinue designs without notice.

* To be advised upon request.

When ordering, please specify:

- (1) Complete assembly number
- (2) Size and type of connections
- (3) Length of cup

THREADED CUP JUNK SUBS

CASING SIZE RANGE (HOLE SIZE)	7-1/2 to 8-1/2	8-5/8 to 9-5/8		9-5/8 to 11-5/8		11-1/2 to 13	
CONNECTION (STD API REG)	4-1/2	4-1/2	4-1/2	6-5/8	6-5/8	6-5/8	6-5/8
DIAMETER OF BORE	2-1/4	2-1/4	2-1/4	3-1/2	3-1/2	3-1/2	3-1/2
O.D. OF TOP CONNECTION BODY	5-1/2	5-1/2	5-1/2	8	7-3/4	8	8
O.D. UNDER TOP CONNECTION	4-1/2	4-1/2	5-1/2	5-3/4	5-3/4	6	6
O.D. OF CUP (Determines Part Number)	6-5/8	7	8-1/2	8-5/8	9	9-5/8	10
I.D. OF CUP	5-15/16	6-9/32	7-9/16	7-15/16	8-1/8	8-17/32	8-29/32

STANDARD TYPE

CUP LENGTH (INCHES)		10	10	10	10	10	10	10
COMPLETE ASSEMBLY	Logan Part No.	201-005-10	201-006-10	201-000-10	201-001-10	201-002-10	201-003-10	201-004-10
BODY	Logan Part No.	KA1005-10	KA1006-10	KA1000-10	KA1001-10	KA1002-10	KA1003-10	KA1004-10
O-RING FOR GROOVE	Logan Part No.	568-256	568-258	568-234	*	*	568-244	568-247
O-RING FOR THREADED RELIEF GROOVE	Logan Part No.	568-163	568-258	568-151	*	*	568-157	568-157
THREADED CUP	Logan Part No.	KA2005-10	KA2006-10	KA2000-10	KA2001-10	KA2002-10	KA2003-10	KA2004-10

LONG TYPE

CUP LENGTH		20	20	20	20	20	20	20
COMPLETE ASSEMBLY	Logan Part No.	201-005-20	201-006-20	201-007-20	201-008-20	201-009-20	201-010-20	201-011-20
BODY	Logan Part No.	KA1005-20	KA1006-20	KA1007-20	KA1008-20	KA1009-20	KA1010-20	KA1011-20
O-RING FOR GROOVE	Logan Part No.	568-256	568-258	568-263	*	568-265	568-267	568-268
O-RING FOR THREADED RELIEF GROOVE	Logan Part No.	568-163	568-258	568-264	*	568-266	568-268	568-269
THREADED CUP	Logan Part No.	KA2005-20	KA2006-20	KA2007-20	KA2008-20	KA2009-20	KA2010-20	KA2011-20

EXTRA LONG TYPE

CUP LENGTH		30	30	30	30	30	30	30
COMPLETE ASSEMBLY	Logan Part No.	201-005-30	201-006-30	201-007-30	201-008-30	201-009-30	201-010-30	201-011-30
BODY	Logan Part No.	KA1005-30	KA1006-30	KA1007-30	KA1008-30	KA1009-30	KA1010-30	KA1011-30
O-RING FOR GROOVE	Logan Part No.	568-256	568-258	568-263	*	568-265	568-267	568-268
O-RING FOR THREADED RELIEF GROOVE	Logan Part No.	568-163	568-258	568-264	*	568-266	568-268	568-269
THREADED CUP	Logan Part No.	KA2005-30	KA2006-30	KA2007-30	KA2008-30	KA2009-30	KA2010-30	KA2011-30

Logan Oil Tools reserves the right to change or discontinue designs without notice.

* To be advised upon request.

When ordering, please specify:

- (1) Complete assembly number
- (2) Size and type of connections
- (3) Length of cup

THREADED CUP JUNK SUBS

CASING SIZE RANGE (HOLE SIZE)	14-3/4 to 17-1/2	14-3/4 to 17-1/2				
CONNECTION (STD API REG)	7-5/8	7-5/8				
DIAMETER OF BORE	4	4				
O.D. OF TOP CONNECTION BODY	8-7/8	8-7/8				
O.D. UNDER TOP CONNECTION	7-5/8	7-5/8				
O.D. OF CUP (Determines Part Number)	12-3/4	12-7/8				
I.D. OF CUP	11-1/2	11-5/8				

STANDARD TYPE

CUP LENGTH (INCHES)		10	10			
COMPLETE ASSEMBLY	Logan Part No.	201-005-10	201-006-10			
BODY	Logan Part No.	KA1005-10	KA1006-10			
O-RING FOR GROOVE	Logan Part No.	568-256	568-258			
O-RING FOR THREADED	Logan Part No.	568-163	568-258			
RELIEF GROOVE						
THREADED CUP	Logan Part No.	KA2005-10	KA2006-10			

LONG TYPE

CUP LENGTH		20	20			
COMPLETE ASSEMBLY	Logan Part No.	201-039-20	201-012-20			
BODY	Logan Part No.	KA10115-20	KA1012-20			
O-RING FOR GROOVE	Logan Part No.	568-276	*			
O-RING FOR THREADED	Logan Part No.	568-277	*			
RELIEF GROOVE						
THREADED CUP	Logan Part No.	KA20115-20	KA2012-20			

EXTRA LONG TYPE

CUP LENGTH		30	30			
COMPLETE ASSEMBLY	Logan Part No.	201-039-30	201-012-30			
BODY	Logan Part No.	KA10115-30	KA1012-30			
O-RING FOR GROOVE	Logan Part No.	568-276	*			
O-RING FOR THREADED	Logan Part No.	568-277	*			
RELIEF GROOVE						
THREADED CUP	Logan Part No.	KA20115-30	KA2012-30			

Logan Oil Tools reserves the right to change or discontinue designs without notice.

* To be advised upon request.

When ordering, please specify:

- (1) Complete assembly number
- (2) Size and type of connections
- (3) Length of cup