

JUNK CATCHER ASSEMBLIES

Overview

The alternately long and short fingers of the junk catcher assembly extend almost to the center of the basket to form a close-fitting receptacle that will retain small pieces of junk that may impede drilling progress or hold a core sample.

Construction

The steel body design provides greater strength and durability. The retainer ring, retainer screws and springs are made of stainless steel to eliminate rust and corrosion problems. Fingers are inexpensive and can be easily replaced.

Assembly

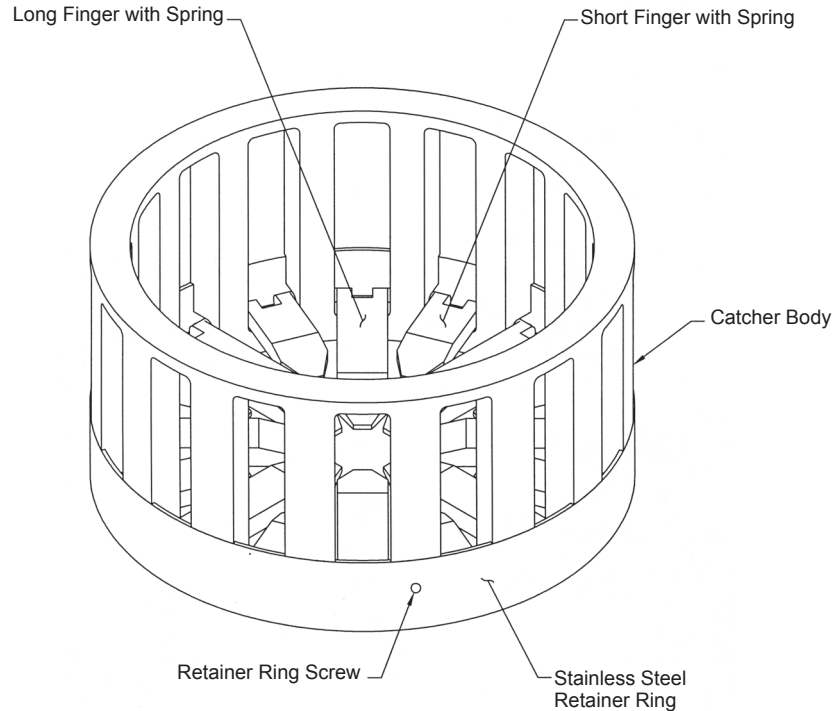
After redressing a junk catcher assembly, care must be taken to ensure that alternate long and short fingers are assembled in proper sequence.

When ordering, please specify:

- (1) Name and number of assembly or part
- (2) Finger number and code, when ordering fingers

Recommended Spare Parts:

- (1) 2 Sets of Fingers
- (2) 4 Sets of Torsion Springs
- (3) 1 Set of Pivot Pins
- (4) 4 Retainer Screws



Special Notes:

- (1) Code: Each finger is stenciled with a letter or letter-number code. These codes are used in lieu of the part number because of space limitation. See the Finger Code Chart below to cross-reference the code with the part number.

Finger Code Chart

Code	Part No.	Code	Part No.	Code	Part No.	Code	Part No.
A	E11006	I	E11003	P-1	E9007	21778-W	E9015
B	E9005	J	E11014	P-2	E11008	21779-W	E11016
C	E11005	K	E9014	W-1	E9012	362-W	E9006
D	—	L	E10003	W-2	E11013	363-W	E11007
E	E9001	M	E9010	W-3	E9002	690-W	E90015
F	E11000	N	E11010	W-4	E11001	691-W	E11015
G	E9013	O	—	X-1	E9019	666-W	E9009
H	E9004	P	—	X-2	E11020	667-W	E11011

JUNK CATCHER ASSEMBLIES

INSIDE DIAMETER		2-11/32	2-39/64	2-23/32	2-17/32	2-17/32	2-31/32	3-1/16
OUTSIDE DIAMETER		3-3/32	3-15/64	3-1/4	3-11/32	3-11/32	3-11/16	3-13/16
LENGTH		1-7/8	1-7/8	1-7/8	1-7/8	1-7/8	2-1/4	2-1/2
COMPLETE ASSEMBLY	Logan Part No.	600-015	600-031	500-023	14000-008	600-016	500-024	14000-009
	Bowen No.	21795W	21810W	14593-W	22070-W	21855W	14589-W	22075-W
BODY	Logan Part No.	D11000	D11021	E7000	D11001	D11001	E7001	D11002
	Bowen No.	56357	45542	45541	68366	68366	45590	45591
FINGER RETAINER <i>(stainless steel)</i>	Logan Part No.	D12000	D12019	E8000	D12001	D12001	E8001	D12002
	Bowen No.	56358	45538	45543	68367	68367	45562	45592
SHORT FINGER *	Logan Part No.	E9011	E9001	E9001	E9011	E9011	E9002	E9002
	Bowen No.	68368	45539	45539	68368	68368	45574	45574
	Code	...	E	E	AD	...	W-3	R
	No. Req'd	4	5	5	8	4	5	10
MEDIUM FINGER *	Logan Part No.
	Bowen No.
	Code
	No. Req'd
LONG FINGER *	Logan Part No.	E11012	E11000	E11000	...	E11012	E11001	...
	Bowen No.	68369	45540	45540	...	68369	45575	...
	Code	...	F	F	W-4	...
	No. Req'd	4	5	5	...	4	5	...
PIVOT PIN *	Logan Part No.	E12001	E12000	E12000	E12001	E12001	E12001	E12001
	Bowen No.	45583	45535	45535	45583	45583	45583	45583
	Req'd	8	10	10	8	8	10	10
TORSION SPRING * <i>(stainless steel)</i>	Logan Part No.	E13009	E13006	E13006	E13009	E13009	E13007	E13009
	Bowen No.	45571	45567	45567	45571	45571	55958	45571
	No. Req'd	8	10	10	8	8	10	10
RETAINER SCREW * <i>(stainless steel)</i>	Logan Part No.	E14000	E14000	E14000	E14000	E14000	E14000	E14000
	Bowen No.	42257	42257	42257	42257	42257	42257	42257
	No. Req'd	2	2	2	2	2	2	2
REPAIR KITS	Logan Part No.	600-015RK	600-031RK	500-023RK	14000-008RK	600-016RK	500-024RK	14000-009RK
<i>* Indicates parts included in kit</i>	Bowen No.	21795K	21810K	14593K	22070K	21855K	14589K	22075K

Logan Oil Tools reserves the right to change or discontinue designs without notice.

When ordering, please specify:

- (1) Name and number of assembly or part
- (2) Finger number and code, when ordering fingers

Recommended Spare Parts:

- (1) 2 Sets of Fingers
- (2) 4 Sets of Torsion Springs
- (3) 1 Set of Pivot Pins
- (4) 4 Retainer Screws

Special Notes:

- (1) Code: Each finger is stenciled with a letter or letter-number code. These codes are used in lieu of the part number because of space limitation. See the Finger Code Chart below to cross-reference the code with the part number.

Finger Code Chart

Code	Part No.	Code	Part No.	Code	Part No.	Code	Part No.
A	E11006	I	E11003	P-1	E9007	21778-W	E9015
B	E9005	J	E11014	P-2	E11008	21779-W	E11016
C	E11005	K	E9014	W-1	E9012	362-W	E9006
D	—	L	E10003	W-2	E11013	363-W	E11007
E	E9001	M	E9010	W-3	E9002	690-W	E90015
F	E11000	N	E11010	W-4	E11001	691-W	E11015
G	E9013	O	—	X-1	E9019	666-W	E9009
H	E9004	P	—	X-2	E11020	667-W	E11011

JUNK CATCHER ASSEMBLIES

INSIDE DIAMETER		3-1/16	3-13/32	3-13/32	3-9/32	3-13/32	3-21/32	3-3/4
OUTSIDE DIAMETER		3-13/16	3-31/32	3-31/32	4	4-1/16	4-9/32	4-15/32
LENGTH		2-1/2	1-63/64	1-63/64	2-3/8	2-3/8	2-1/4	2-9/16
COMPLETE ASSEMBLY	Logan Part No.	600-017	600-032	600-033	500-050	500-025	600-018	600-019
	Bowen No.	21780W	21880W	21805W	14598-W	19377-W	21790W	21735W
BODY	Logan Part No.	D11002	D11022	D11022	E70015	E7002	D11003	E7003
	Bowen No.	45591	45565	45565	45568	45563	45579	45559
FINGER RETAINER	Logan Part No.	D12002	D12020	D12020	E80015	E8002	D12003	E8003
<i>(stainless steel)</i>	Bowen No.	45592	45566	45566	45569	45564	45580	45560
SHORT FINGER *	Logan Part No.	E9002	E9002	E9002	E90015	E90015	E9012	E9004
	Bowen No.	45574	45574	45574	55962	55962	45581	45558
	Code	W-3	R	R	690-W	690-W	W-1	H
	No. Req'd	5	12	6	5	5	6	5
MEDIUM FINGER *	Logan Part No.
	Bowen No.
	Code
	No. Req'd
LONG FINGER *	Logan Part No.	E11001	...	E11001	E11015	E11015	E11013	E11003
	Bowen No.	45575	...	45575	55963	55963	45582	45561
	Code	W-4	...	W-4	691-W	691-W	W-2	I
	No. Req'd	5	...	6	5	5	6	5
PIVOT PIN *	Logan Part No.	E12001	E12001	E12001	E12002	E12002	E12001	...
	Bowen No.	45583	45583	45583	55957	55957	45583	...
	No. Req'd	10	12	12	10	10	12	...
TORSION SPRING *	Logan Part No.	E13009	E13009	E13009	E13007	E13007	E13009	E13000
<i>(stainless steel)</i>	Bowen No.	45571	45571	45571	55958	55958	45571	45520
	No. Req'd	10	12	12	10	10	12	10
RETAINER SCREW *	Logan Part No.	E14000	E14000	E14000	E14000	E14000	E14000	E14000
<i>(stainless steel)</i>	Bowen No.	42257	42257	42257	42257	42257	42257	42257
	No. Req'd	2	2	2	2	2	2	2
REPAIR KITS	Logan Part No.	600-017RK	600-032RK	600-033RK	500-050RK	500-025RK	600-018RK	600-019RK
<i>* Indicates parts included in kit</i>	Bowen No.	21780K	21880K	21805K	14598K	19377K	21790K	21735K

Logan Oil Tools reserves the right to change or discontinue designs without notice.

When ordering, please specify:

- (1) Name and number of assembly or part
- (2) Finger number and code, when ordering fingers

Recommended Spare Parts:

- (1) 2 Sets of Fingers
- (2) 4 Sets of Torsion Springs
- (3) 1 Set of Pivot Pins
- (4) 4 Retainer Screws

Special Notes:

- (1) Code: Each finger is stenciled with a letter or letter-number code. These codes are used in lieu of the part number because of space limitation. See the Finger Code Chart below to cross-reference the code with the part number.

Finger Code Chart

Code	Part No.	Code	Part No.	Code	Part No.	Code	Part No.
A	E11006	I	E11003	P-1	E9007	21778-W	E9015
B	E9005	J	E11014	P-2	E11008	21779-W	E11016
C	E11005	K	E9014	W-1	E9012	362-W	E9006
D	—	L	E10003	W-2	E11013	363-W	E11007
E	E9001	M	E9010	W-3	E9002	690-W	E90015
F	E11000	N	E11010	W-4	E11001	691-W	E11015
G	E9013	O	—	X-1	E9019	666-W	E9009
H	E9004	P	—	X-2	E11020	667-W	E11011

JUNK CATCHER ASSEMBLIES

INSIDE DIAMETER		3-3/4	3-3/4	4-3/32	4-1/16	4-1/16	4-13/32	4-13/32
OUTSIDE DIAMETER		4-15/32	4-15/32	4-3/4	4-7/8	4-7/8	5-5/32	5-5/32
LENGTH		2-9/16	2-9/16	2-1/2	2-25/32	2-25/32	2-13/16	1-13/32
COMPLETE ASSEMBLY	Logan Part No.	600-083	500-026	600-062	500-014	500-027	600-020	600-067
	Bowen No.	14747-W	14603-W	21820W	14607-W	14608-W	28349W	25250-W
BODY	Logan Part No.	E7003	E7003	D11015	E7004	E7004	D11004	D11019
	Bowen No.	45559	45559	45595	45555	45555	45511	68375
FINGER RETAINER <i>(stainless steel)</i>	Logan Part No.	E8003	E8003	D12015	E8004	E8004	D12004	D12004
	Bowen No.	45560	45560	45596	45556	45556	45519	45519
SHORT FINGER *	Logan Part No.	E9004	E9004	E9019	E9004	E9004	E9005	E9018
	Bowen No.	45558	45558	45597	45558	45558	45517	68376
	Code	H	H	X-1	H	H	B	
	No. Req'd	10	5	6	12	6	8	12
MEDIUM FINGER *	Logan Part No.
	Bowen No.
	Code
	No. Req'd
LONG FINGER *	Logan Part No.	...	E11003	E11020	...	E9013	E11006	...
	Bowen No.	...	45561	45598	...	45557	45516	...
	Code	...	I	X-2	...	G	A	...
	No. Req'd	...	5	6	...	6	4	...
PIVOT PIN *	Logan Part No.	E12010
	Bowen No.	45599
	No. Req'd	12
TORSION SPRING * <i>(stainless steel)</i>	Logan Part No.	E13000	E13000	E13009	E13000	E13000	E13000	E13000
	Bowen No.	45520	45520	45571	45520	45520	45520	45520
	No. Req'd	10	10	12	12	12	12	12
RETAINER SCREW * <i>(stainless steel)</i>	Logan Part No.	E14000	E14000	E14000	E14000	E14000	E14000	E14000
	Bowen No.	42257	42257	42257	42257	42257	42257	42257
	No. Req'd	2	2	2	2	2	2	2
REPAIR KITS	Logan Part No.	600-083RK	500-026RK	600-062RK	500-014RK	500-027RK	600-020RK	600-067RK
	Bowen No.	14747K	14603K	21820K	14607K	14608K	28349K	25250K

* Indicates parts included in kit

Logan Oil Tools reserves the right to change or discontinue designs without notice.

When ordering, please specify:

- (1) Name and number of assembly or part
- (2) Finger number and code, when ordering fingers

Recommended Spare Parts:

- (1) 2 Sets of Fingers
- (2) 4 Sets of Torsion Springs
- (3) 1 Set of Pivot Pins
- (4) 4 Retainer Screws

Special Notes:

- (1) Code: Each finger is stenciled with a letter or letter-number code. These codes are used in lieu of the part number because of space limitation. See the Finger Code Chart below to cross-reference the code with the part number.

Finger Code Chart

Code	Part No.	Code	Part No.	Code	Part No.	Code	Part No.
A	E11006	I	E11003	P-1	E9007	21778-W	E9015
B	E9005	J	E11014	P-2	E11008	21779-W	E11016
C	E11005	K	E9014	W-1	E9012	362-W	E9006
D	—	L	E10003	W-2	E11013	363-W	E11007
E	E9001	M	E9010	W-3	E9002	690-W	E90015
F	E11000	N	E11010	W-4	E11001	691-W	E11015
G	E9013	O	—	X-1	E9019	666-W	E9009
H	E9004	P	—	X-2	E11020	667-W	E11011

JUNK CATCHER ASSEMBLIES

INSIDE DIAMETER		4-13/32	4-5/16	4-5/16	4-17/32	4-17/32	4-3/4	4-13/16
OUTSIDE DIAMETER		5-5/32	5-5/16	5-5/16	5-13/32	5-13/32	5-5/8	5-23/32
LENGTH		2-13/16	2-7/8	2-7/8	2-7/8	2-7/8	2-5/8	3-1/16
COMPLETE ASSEMBLY	Logan Part No.	500-051	600-065	600-066	500-015	500-028	600-021	500-016
	Bowen No.	15130-W	14612-W	14613-W	19382-W	19383-W	21750W	14617-W
BODY	Logan Part No.	D11004	D11018	D11018	E7005	E7005	D11005	E7006
	Bowen No.	45511	45572	45572	45553	45553	45584	45512
FINGER RETAINER <i>(stainless steel)</i>	Logan Part No.	D12004	D12017	D12017	E8005	E8005	D12005	E8006
	Bowen No.	45519	45573	45573	45554	45554	45585	45552
SHORT FINGER *	Logan Part No.	E9005	E9005	E9005	E9005	E9005	E9005	E9005
	Bowen No.	45517	45517	45517	45517	45517	45517	45517
	Code	B	B	B	B	B	B	B
	No. Req'd	12	12	6	12	6	6	12
MEDIUM FINGER *	Logan Part No.	E9013
	Bowen No.	45557
	Code	G
	No. Req'd	3
LONG FINGER *	Logan Part No.	E11006	...	E11006	E11006	...
	Bowen No.	45516	...	45516	45516	...
	Code	A	...	A	A	...
	No. Req'd	3	...	6	6	...
PIVOT PIN *	Logan Part No.
	Bowen No.
	No. Req'd
TORSION SPRING * <i>(stainless steel)</i>	Logan Part No.	E13000	E13000	E13000	E13000	E13000	E13000	E13000
	Bowen No.	45520	45520	45520	45520	45520	45520	45520
	No. Req'd	12	12	12	12	12	12	12
RETAINER SCREW * <i>(stainless steel)</i>	Logan Part No.	E14000	E14000	E14000	E14000	E14000	E14000	E14000
	Bowen No.	42257	42257	42257	42257	42257	42257	42257
	No. Req'd	2	2	2	2	2	2	2
REPAIR KITS	Logan Part No.	500-051RK	600-065RK	600-066RK	500-015RK	500-028RK	600-021RK	500-016RK
	Bowen No.	15130K	14612K	14613K	19382K	19383K	21750K	14617K

* Indicates parts included in kit

Logan Oil Tools reserves the right to change or discontinue designs without notice.

When ordering, please specify:

- (1) Name and number of assembly or part
- (2) Finger number and code, when ordering fingers

Recommended Spare Parts:

- (1) 2 Sets of Fingers
- (2) 4 Sets of Torsion Springs
- (3) 1 Set of Pivot Pins
- (4) 4 Retainer Screws

Special Notes:

- (1) Code: Each finger is stenciled with a letter or letter-number code. These codes are used in lieu of the part number because of space limitation. See the Finger Code Chart below to cross-reference the code with the part number.

Finger Code Chart

Code	Part No.	Code	Part No.	Code	Part No.	Code	Part No.
A	E11006	I	E11003	P-1	E9007	21778-W	E9015
B	E9005	J	E11014	P-2	E11008	21779-W	E11016
C	E11005	K	E9014	W-1	E9012	362-W	E9006
D	—	L	E10003	W-2	E11013	363-W	E11007
E	E9001	M	E9010	W-3	E9002	690-W	E90015
F	E11000	N	E11010	W-4	E11001	691-W	E11015
G	E9013	O	—	X-1	E9019	666-W	E9009
H	E9004	P	—	X-2	E11020	667-W	E11011

JUNK CATCHER ASSEMBLIES

INSIDE DIAMETER		4-13/16	5-1/4	5-3/16	5-3/16	5-7/16	5-7/16	5-5/8
OUTSIDE DIAMETER		5-23/32	6-1/8	6-1/4	6-1/4	6-3/8	6-3/8	6-19/32
LENGTH		3-1/16	3-5/16	3-5/16	3-5/16	3	3-5/16	2-7/8
COMPLETE ASSEMBLY	Logan Part No.	500-029	600-063	14000-011	600-022	500-017	500-030	600-060
	Bowen No.	14618-W	18935-W	22050-W	21725W	14622-W	14623-W	21865W
BODY	Logan Part No.	E7006	D11016	D11006	D11006	E7007	E7007	D11013
	Bowen No.	45512	45513	45550	45550	45545	45545	45602
FINGER RETAINER <i>(stainless steel)</i>	Logan Part No.	E8006	D12016	D12006	D12006	E8007	E8007	D12014
	Bowen No.	45552	45527	45551	45551	45546	45546	45528
SHORT FINGER *	Logan Part No.	E9005	E9005	E9013	E9013	E9005	E9005	E9005
	Bowen No.	45517	45517	45557	45557	45517	45517	45517
	Code	B	B	G	G	B	B	B
	No. Req'd	6	6	12	6	14	7	12
MEDIUM FINGER *	Logan Part No.	...	E11006
	Bowen No.	...	45516
	Code	...	A
	No. Req'd	...	3
LONG FINGER *	Logan Part No.	E11006	E11005	...	E11005	...	E11005	...
	Bowen No.	45516	45518	...	45518	...	45518	...
	Code	A	C	...	C	...	C	...
	No. Req'd	6	3	...	6	...	7	...
PIVOT PIN *	Logan Part No.
	Bowen No.
	No. Req'd
TORSION SPRING * <i>(stainless steel)</i>	Logan Part No.	E13000	E13000	E13000	E13000	E13000	E13000	E13000
	Bowen No.	45520	45520	45520	45520	45520	45520	45520
	No. Req'd	12	12	12	12	14	14	12
* RETAINER SCREW <i>(stainless steel)</i>	Logan Part No.	E14000	E14000	E14000	E14000	E14000	E14000	E14000
	Bowen No.	42257	42257	42257	42257	42257	42257	42257
	No. Req'd	2	2	2	2	2	2	2
REPAIR KITS	Logan Part No.	500-029RK	600-063RK	14000-011RK	600-022RK	500-017RK	500-030RK	600-060RK
* Indicates parts included in kit	Bowen No.	14618K	18935K	22050K	21725K	14622K	14623K	21865K

Logan Oil Tools reserves the right to change or discontinue designs without notice.

When ordering, please specify:

- (1) Name and number of assembly or part
- (2) Finger number and code, when ordering fingers

Recommended Spare Parts:

- (1) 2 Sets of Fingers
- (2) 4 Sets of Torsion Springs
- (3) 1 Set of Pivot Pins
- (4) 4 Retainer Screws

Special Notes:

- (1) Code: Each finger is stenciled with a letter or letter-number code. These codes are used in lieu of the part number because of space limitation. See the Finger Code Chart below to cross-reference the code with the part number.

Finger Code Chart

Code	Part No.	Code	Part No.	Code	Part No.	Code	Part No.
A	E11006	I	E11003	P-1	E9007	21778-W	E9015
B	E9005	J	E11014	P-2	E11008	21779-W	E11016
C	E11005	K	E9014	W-1	E9012	362-W	E9006
D	—	L	E10003	W-2	E11013	363-W	E11007
E	E9001	M	E9010	W-3	E9002	690-W	E90015
F	E11000	N	E11010	W-4	E11001	691-W	E11015
G	E9013	O	—	X-1	E9019	666-W	E9009
H	E9004	P	—	X-2	E11020	667-W	E11011

JUNK CATCHER ASSEMBLIES

INSIDE DIAMETER		5-5/8	6	6	6	6-3/16	6-3/16	6-1/2
OUTSIDE DIAMETER		6-19/32	7	7	7	7-1/8	7-1/8	7-7/16
LENGTH		3-5/8	1-23/32	3-7/16	3.44	3-13/16	3-13/16	3-1/2
COMPLETE ASSEMBLY	Logan Part No.	600-061	14000-012	600-023	600-085	500-018	500-031	600-030
	Bowen No.	18936W	21640-W	18725W		14627-W	14628-W	18720-W
BODY	Logan Part No.	D11014	E7014	D11007	D11007	E7008	E7008	D11020
	Bowen No.	45514	68382	45505	45505	45547	45547	45515
FINGER RETAINER <i>(stainless steel)</i>	Logan Part No.	D12014	D12007	D12007	D12007	E8008	E8008	D12018
	Bowen No.	45528	45506	45506	45506	45548	45548	45529
SHORT FINGER *	Logan Part No.	E9005	E9016	E9014	E9014	E9006	E9006	E9014
	Bowen No.	45517	68383	45508	45508	47670	47670	45508
	Code	B	AH	K	K	362-W	362-W	K
	No. Req'd	6	12	6	12	12	6	6
MEDIUM FINGER *	Logan Part No.
	Bowen No.
	Code
	No. Req'd
LONG FINGER *	Logan Part No.	E11005	...	E11014	...	E11007	E11014	...
	Bowen No.	45518	...	45507	...	47669	45507	...
	Code	C	...	J	...	363-W	J	...
	No. Req'd	6	...	6	...	6	6	...
PIVOT PIN *	Logan Part No.	E12008	E12008	...
	Bowen No.	45536	45536	...
	No. Req'd	12	12	...
TORSION SPRING * <i>(stainless steel)</i>	Logan Part No.	E13000	E13002	E13004	E13004	E13001	E13001	E13004
	Bowen No.	45520	45549	45509	45509	45537	45537	45509
	No. Req'd	12	12	12	12	12	12	12
RETAINER SCREW * <i>(stainless steel)</i>	Logan Part No.	E14000	E14000	E14000	E14000	E14000	E14000	E14000
	Bowen No.	42257	42257	42257	42257	42257	42257	42257
	No. Req'd	2	2	2	2	2	2	2
REPAIR KITS	Logan Part No.	600-061RK	14000-012RK	600-023RK	...	500-018RK	500-031RK	600-030RK
	Bowen No.	18936K	21640K	18725K	...	14627K	14628K	18720K

* Indicates parts included in kit

Logan Oil Tools reserves the right to change or discontinue designs without notice.

When ordering, please specify:

- (1) Name and number of assembly or part
- (2) Finger number and code, when ordering fingers

Recommended Spare Parts:

- (1) 2 Sets of Fingers
- (2) 4 Sets of Torsion Springs
- (3) 1 Set of Pivot Pins
- (4) 4 Retainer Screws

Special Notes:

- (1) Code: Each finger is stenciled with a letter or letter-number code. These codes are used in lieu of the part number because of space limitation. See the Finger Code Chart below to cross-reference the code with the part number.

Finger Code Chart

Code	Part No.	Code	Part No.	Code	Part No.	Code	Part No.
A	E11006	I	E11003	P-1	E9007	21778-W	E9015
B	E9005	J	E11014	P-2	E11008	21779-W	E11016
C	E11005	K	E9014	W-1	E9012	362-W	E9006
D	—	L	E10003	W-2	E11013	363-W	E11007
E	E9001	M	E9010	W-3	E9002	690-W	E90015
F	E11000	N	E11010	W-4	E11001	691-W	E11015
G	E9013	O	—	X-1	E9019	666-W	E9009
H	E9004	P	—	X-2	E11020	667-W	E11011

JUNK CATCHER ASSEMBLIES

INSIDE DIAMETER		7-1/16	7-3/16	7-3/16	7-11/16	7-13/16	7-13/16	8-1/16
OUTSIDE DIAMETER		7-7/8	8-1/8	8-1/8	9	9-1/32	9-1/32	9-5/16
LENGTH		4-5/16	4-5/16	4-5/16	4-5/8	2-5/16	4-5/8	5
COMPLETE ASSEMBLY	Logan Part No.	600-034	14000-013	600-024	600-025	14000-014	500-019	500-054
	Bowen No.	9800W	14632-W	14633W	21755W	25235-W	18945-W	14637-W
BODY	Logan Part No.	D11023	E7009	E7009	D11008	E7016	E7010	E7013
	Bowen No.	68396	45521	45521	68116	68388	45522	45523
FINGER RETAINER	Logan Part No.	D12021	D12008	D12008	D12009	E8010	E8010	E8013
<i>(stainless steel)</i>	Bowen No.	68397	45530	45530	68117	45531	45531	45532
SHORT FINGER *	Logan Part No.	E9010	E9007	E9007	E11014	E9016	E11014	E9010
	Bowen No.	45525	45588	45588	45507	68383	45507	45525
	Code	M	N	P-1	J	S	J	M
	No. Req'd	6	12	6	6	12	6	16
MEDIUM FINGER *	Logan Part No.
	Bowen No.
	Code
	No. Req'd
LONG FINGER *	Logan Part No.	E10003	...	E11008	E11018	...	E11018	...
	Bowen No.	45510	...	45589	70277	...	70277	...
	Code	L	...	P-2	J	...	J	...
	No. Req'd	6	...	6	6	...	6	...
PIVOT PIN *	Logan Part No.
	Bowen No.
	No. Req'd
TORSION SPRING *	Logan Part No.	E13002	E13002	E13002	E13004	E13004	E13004	E13004
<i>(stainless steel)</i>	Bowen No.	45549	45549	45549	45509	45509	45509	45509
	No. Req'd	12	12	12	12	12	12	16
RETAINER SCREW *	Logan Part No.	E14000	E14000	E14000	E14000	E14000	E14000	E14000
<i>(stainless steel)</i>	Bowen No.	42257	42257	42257	42257	42257	42257	42257
	No. Req'd	2	2	2	2	2	2	2
REPAIR KITS	Logan Part No.	600-034RK	14000-013RK	600-024RK	600-025RK	14000-014RK	500-019RK	500-054RK
<i>* Indicates parts included in kit</i>	Bowen No.	9800K	14632K	14633K	21755K	25235K	18945K	154611K

Logan Oil Tools reserves the right to change or discontinue designs without notice.

When ordering, please specify:

- (1) Name and number of assembly or part
- (2) Finger number and code, when ordering fingers

Recommended Spare Parts:

- (1) 2 Sets of Fingers
- (2) 4 Sets of Torsion Springs
- (3) 1 Set of Pivot Pins
- (4) 4 Retainer Screws

Special Notes:

- (1) Code: Each finger is stenciled with a letter or letter-number code. These codes are used in lieu of the part number because of space limitation. See the Finger Code Chart below to cross-reference the code with the part number.

Finger Code Chart

Code	Part No.	Code	Part No.	Code	Part No.	Code	Part No.
A	E11006	I	E11003	P-1	E9007	21778-W	E9015
B	E9005	J	E11014	P-2	E11008	21779-W	E11016
C	E11005	K	E9014	W-1	E9012	362-W	E9006
D	—	L	E10003	W-2	E11013	363-W	E11007
E	E9001	M	E9010	W-3	E9002	690-W	E90015
F	E11000	N	E11010	W-4	E11001	691-W	E11015
G	E9013	O	—	X-1	E9019	666-W	E9009
H	E9004	P	—	X-2	E11020	667-W	E11011

JUNK CATCHER ASSEMBLIES

INSIDE DIAMETER		8-1/16	8-5/16	8-5/16	8-5/16	8-11/16	9-1/8	9-1/8
OUTSIDE DIAMETER		9-5/16	9-3/4	9-3/4	9-3/4	10-3/32	10-7/16	10-7/16
LENGTH		5	5	5	4-1/2	5-3/32	5-3/16	5-3/16
COMPLETE ASSEMBLY	Logan Part No.	500-032	14000-015	600-026	600-064	600-027	500-020	500-033
	Bowen No.	14638-W	31046-W	21760W	22000-W	21840W	14642-W	14643-W
BODY	Logan Part No.	E7013	D11009	D11009	D11017	D11010	E7011	E7011
	Bowen No.	45523	45576	45576	45577	45593	45524	45524
FINGER RETAINER <i>(stainless steel)</i>	Logan Part No.	E8013	D12010	D12010	D12010	D12011	E8011	E8011
	Bowen No.	45532	45578	45578	45578	45594	45533	45533
SHORT FINGER *	Logan Part No.	E9010	E9010	E9010	E9010	E11014	E11014	E11014
	Bowen No.	45525	45525	45525	45525	45507	45507	45507
	Code	M	M	M	M	J	J	J
	No. Req'd	8	16	8	16	8	16	8
MEDIUM FINGER *	Logan Part No.	E11014	...	E10003	...	E10003	...	E10003
	Bowen No.	45507	...	45510	...	45510	...	45510
	Code	J	...	L	...	L	...	L
	No. Req'd	4	...	4	...	4	...	4
LONG FINGER *	Logan Part No.	E11017	...	E11010	...	E11010	...	E11010
	Bowen No.	68295	...	45526	...	45526	...	45526
	Code	N	...	N	...	N	...	N
	No. Req'd	4	...	4	...	4	...	4
PIVOT PIN *	Logan Part No.
	Bowen No.
	No. Req'd
TORSION SPRING * <i>(stainless steel)</i>	Logan Part No.	E13004	E13004	E13004	E13004	E13004	E13004	E13004
	Bowen No.	45509	45509	45509	45509	45509	45509	45509
	No. Req'd	16	16	16	16	16	16	16
RETAINER SCREW * <i>(stainless steel)</i>	Logan Part No.	E14000	E14000	E14000	E14000	E14000	E14000	E14000
	Bowen No.	42257	42257	42257	42257	42257	42257	42257
	No. Req'd	2	2	2	2	2	2	2
REPAIR KITS	Logan Part No.	500-032RK	14000-015RK	600-026RK	600-064RK	600-027RK	500-020RK	500-033RK
	Bowen No.	14638K	31046K	21760K	22000K	21840K	14642K	14643K

* Indicates parts included in kit

Logan Oil Tools reserves the right to change or discontinue designs without notice.

When ordering, please specify:

- (1) Name and number of assembly or part
- (2) Finger number and code, when ordering fingers

Recommended Spare Parts:

- (1) 2 Sets of Fingers
- (2) 4 Sets of Torsion Springs
- (3) 1 Set of Pivot Pins
- (4) 4 Retainer Screws

Special Notes:

- (1) Code: Each finger is stenciled with a letter or letter-number code. These codes are used in lieu of the part number because of space limitation. See the Finger Code Chart below to cross-reference the code with the part number.

Finger Code Chart

Code	Part No.	Code	Part No.	Code	Part No.	Code	Part No.
A	E11006	I	E11003	P-1	E9007	21778-W	E9015
B	E9005	J	E11014	P-2	E11008	21779-W	E11016
C	E11005	K	E9014	W-1	E9012	362-W	E9006
D	—	L	E10003	W-2	E11013	363-W	E11007
E	E9001	M	E9010	W-3	E9002	690-W	E90015
F	E11000	N	E11010	W-4	E11001	691-W	E11015
G	E9013	O	—	X-1	E9019	666-W	E9009
H	E9004	P	—	X-2	E11020	667-W	E11011

JUNK CATCHER ASSEMBLIES

INSIDE DIAMETER		10-1/8	10-1/8	9-7/8	11-3/16	12-3/8	12-3/8	
OUTSIDE DIAMETER		11-3/8	11-3/8	11-21/32	13-5/8	13-13/16	13-13/16	
LENGTH		6	6	5-31/32	7-5/16	7-7/8	7-7/8	
COMPLETE ASSEMBLY	Logan Part No.	500-021	500-034	600-028	600-029	500-022	500-035	
	Bowen No.	14647-W	14648-W	21770W	21775W	14652-W	14653-W	
BODY	Logan Part No.	E7012	E7012	D11011	D11012	E7015	E7015	
	Bowen No.	45586	45586	64810	45605	68391	68391	
FINGER RETAINER <i>(stainless steel)</i>	Logan Part No.	E8012	E8012	D12012	D12013	E8014	E8014	
	Bowen No.	45587	45587	64811	45606	68392	68392	
SHORT FINGER *	Logan Part No.	E9009	E9009	E9009	E9015	E9017	E9017	
	Bowen No.	666	666	666	45607	68393	68393	
	Code	666-W	666-W	666-W	21778-W			
	No. Req'd	16	8	8	7	14	7	
MEDIUM FINGER *	Logan Part No.	
	Bowen No.	
	Code	
	No. Req'd	
LONG FINGER *	Logan Part No.	...	E11011	E11011	E11016	...	E11019	
	Bowen No.	...	667	667	45608	...	68395	
	Code	...	667-W	667-W	21779-W	
	No. Req'd	...	8	8	7	...	7	
PIVOT PIN *	Logan Part No.	E12012	E12012	E12012	E12009	E12013	E12013	
	Bowen No.	45603	45603	45603	45609	68394	68394	
	No. Req'd	16	16	16	14	14	14	
TORSION SPRING * <i>(stainless steel)</i>	Logan Part No.	E13005	E13005	E13005	E13010	E13004	E13004	
	Bowen No.	45604	45604	45604	45610	45509	45509	
	No. Req'd	16	16	16	14	14	14	
RETAINER SCREW * <i>(stainless steel)</i>	Logan Part No.	E14000	E14000	E14000	E14000	E14000	E14000	
	Bowen No.	42257	42257	42257	42257	42257	42257	
	No. Req'd	2	2	2	2	2	2	
REPAIR KITS	Logan Part No.	500-021RK	500-034RK	600-028RK	600-029RK	500-022RK	500-035RK	
	Bowen No.	1464K	14648K	21770K	21775K	14652K	14653K	

Logan Oil Tools reserves the right to change or discontinue designs without notice.

When ordering, please specify:

- (1) Name and number of assembly or part
- (2) Finger number and code, when ordering fingers

Recommended Spare Parts:

- (1) 2 Sets of Fingers
- (2) 4 Sets of Torsion Springs
- (3) 1 Set of Pivot Pins
- (4) 4 Retainer Screws

Special Notes:

- (1) Code: Each finger is stenciled with a letter or letter-number code. These codes are used in lieu of the part number because of space limitation. See the Finger Code Chart below to cross-reference the code with the part number.

Finger Code Chart

Code	Part No.	Code	Part No.	Code	Part No.	Code	Part No.
A	E11006	I	E11003	P-1	E9007	21778-W	E9015
B	E9005	J	E11014	P-2	E11008	21779-W	E11016
C	E11005	K	E9014	W-1	E9012	362-W	E9006
D	—	L	E10003	W-2	E11013	363-W	E11007
E	E9001	M	E9010	W-3	E9002	690-W	E90015
F	E11000	N	E11010	W-4	E11001	691-W	E11015
G	E9013	O	—	X-1	E9019	666-W	E9009
H	E9004	P	—	X-2	E11020	667-W	E11011