
MultiStim Fracture Isolation System

MultiStim Retrieva-a-Seat Retrieval Tool

- Removes seats from multiple valves in a single trip
- Captures balls during seat retrieval without flow back
- Push-pull operation is compatible with threaded or coiled tubing
- Compatible with jars and bumper subs

The MultiStim Retrieva-a-Seat (RAS) Retrieval Tool is the primary means use to remove the seats from the RAS Valves after the fracing operation has been completed. The simplistic design allows the operator to easily remove the RAS Valves from the wellbore. Since there is no need to have rotational capabilities, the tool can be run with a service rig or coiled tubing.

Simple Operation

The retrieving tool BHA is run in the hole to a depth above the uppermost valve. Pump circulation is engaged at a rate of 3 bbls/min (0.5m³/min) cleaning and residual prop-pant left from the fracing operation. The latching mechanism engages the seat in the RAS Valve; setting down releases the seat. The pump circulation is reversed and causes the opening ball to move up inside the retrieving tool where it is trapped and remains throughout the operation. The string is lowered to the next valve and the process is repeated until all of the seats have been released from the prospective valve. At this point, the seats can be removed from the wellbore or the retrieval tool released to leave the seat in the show track.

Design and Manufacturing Standards

The MultiStim Retrieva-a-Seat Retrieval Tool and MultiStim Fracturing Isolation System components are designed and manufactured to API Q1 standards at our certified manufacturing facility.

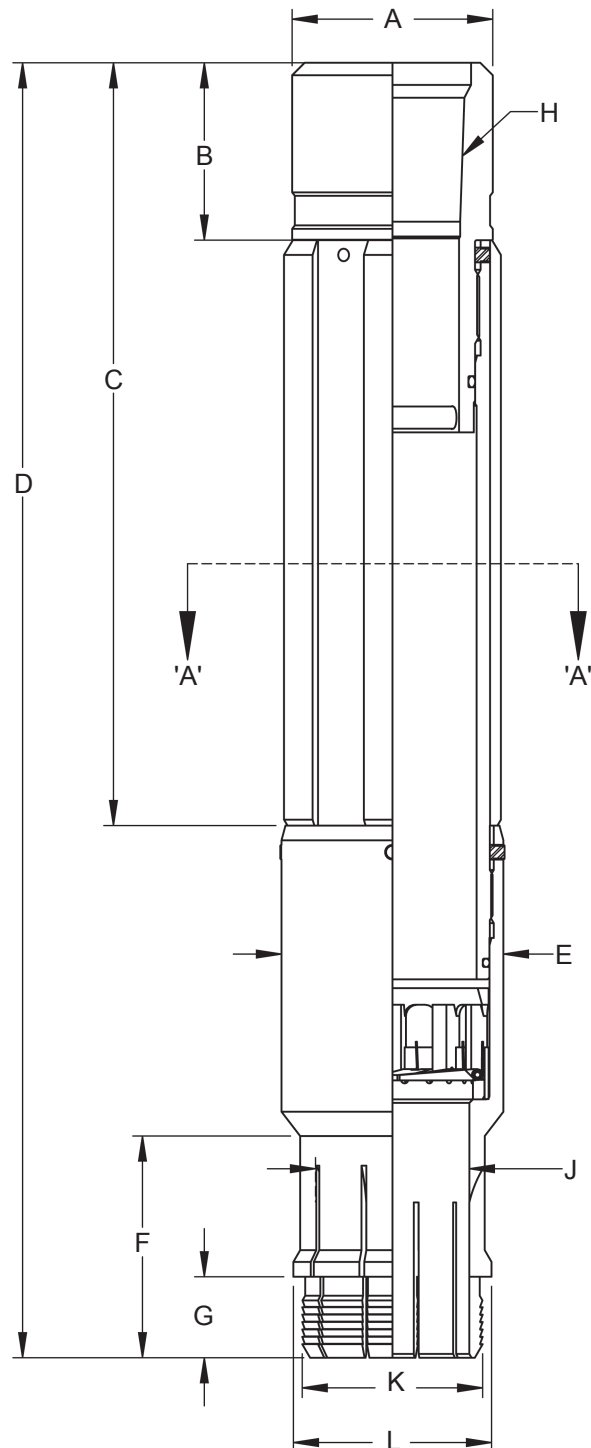
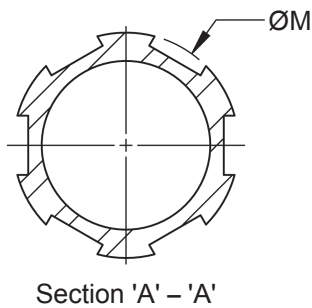


MultiStim Fracture Isolation System

MultiStim Retrieva-a-Seat Retrieval Tool

Dim.	(in)	(mm)
A	3.39	86.11
B	3.00	76.20
C (short)	12.90	327.70
C (long)	24.90	632.50
D (short)	21.90	556.30
D (long)	33.90	861.10
E	3.75	95.25
F	3.80	96.50
G	1.40	35.60
H	2.375 EUE	
J	2.60	66.04
K	3.05	77.47
L	3.35	85.09
M	3.80	96.52

Tool Ratings		
Rating	Value	
Tensile	145,000 lbs	64.50 daN



This document contains copyrighted and confidential information and is the property of Logan Completion Systems, and is revealed for limited purposes. It may not be reproduced without the written consent of Logan Completion Systems. It is not to be rented, loaned, or sold, either alone or in conjunction with equipment or product.