

---

**MultiStim Fracture Isolation System**

**MultiStim 6.080" Open Hole Reamer**

- Helix design
- Extended-life cutting surface
- Design and manufacturing standards

The MultiStim 6.080" Open Hole Reamer is an essential component to the successful installation of the MultiStim Fracture Isolation System. The 6.080" Open Hole Reamer is run immediately prior to the liner installation to ensure clean installation of the liner without the need for circulation and/or rotation. The 6.080" Open Hole Reamer effectively builds a smooth transition in the wellbore by evening out dog legs and tight spots.

**Helix Design**

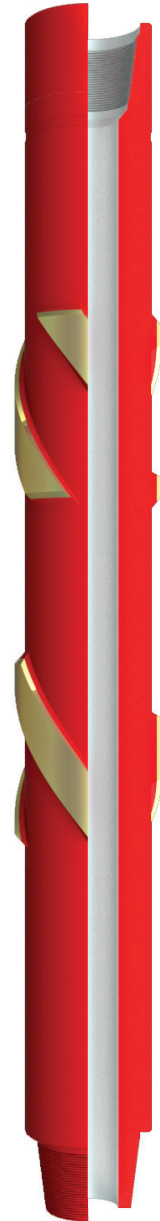
The 6.080" Open Hole Reamer features two sets of three-bladed left-hand helixes. The first helix has a 120° offset and the second has a 180° degree offset.

**Extended-Life Cutting Surface**

The two-inch-wide helix blades are dressed with tungsten carbide shard matrix. This matrix continually exposes new carbide shards as the blades wear to maintain an effective cutting surface.

**Design and Manufacturing Standards**

The MultiStim 6.080" Open Hole Reamer and MultiStim Fracturing Isolation System components are designed and manufactured to API Q1 standards at our certified manufacturing facility.

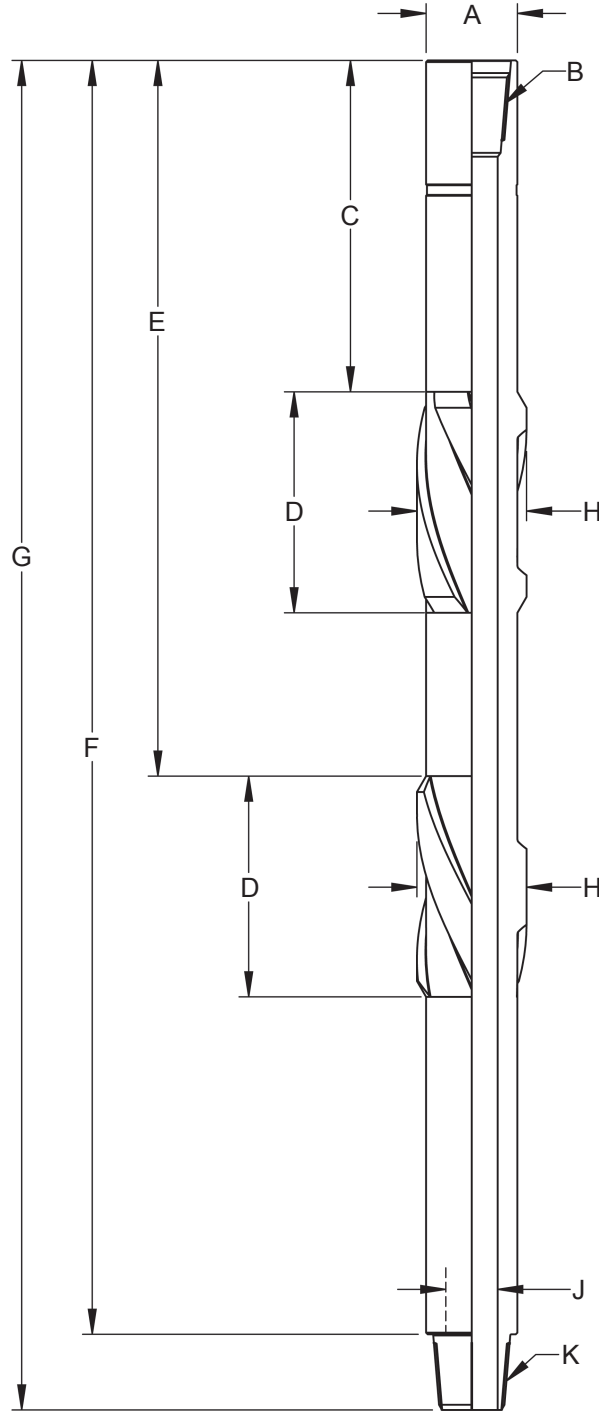


**MultiStim Fracture Isolation System**

**MultiStim 6.080" Open Hole Reamer**

Dim.	(in)	(mm)
A	4.75	120.65
B	NC 38	
C	17.30	438.20
D	11.50	292.10
E	37.30	946.20
F	66.30	1684.10
G	70.20	1784.10
H	6.08	154.43
J	2.70	68.58
K	NC 38	

Tool Ratings		
Rating	Value	
Tensile	596,000 lbs	265,100 daN
Torque	20,879 ft-lb	28,300 N-m



*This document contains copyrighted and confidential information and is the property of Logan Completion Systems, and is revealed for limited purposes. It may not be reproduced without the written consent of Logan Completion Systems. It is not to be rented, loaned, or sold, either alone or in conjunction with equipment or product.*