

MultiStim Fracture Isolation System

MultiStim MegaSeal Open Hole Packer

- Dual-element design
- Hydraulic setting
- Selective setting
- Exceeds API Q1 standards

The MultiStim MegaSeal Open Hole Packer is used to straddle the Retrieval-a-Seat (RAS) Frac Valve for fracture zone isolation. Any number of packers may be installed for any open hole isolation application.

Performance Dual-Element Design

The MegaSeal Open Hole Packer increases open isolation performance with a recessed dual packing element design. The recessed packing element run in diameter reduces potential damage during installation. The dual-element system creates a dual barrier in the open hole to ensure zonal isolation.

Hydraulic Setting

Hydraulic setting enables well fluid circulation and well displacement without risk of premature packer setting.

Selective Setting

The complete liner isolation string of packers can all be set with a single pressure cycle or can be set at staged pressure cycles if desired.

Design and Manufacturing Standards

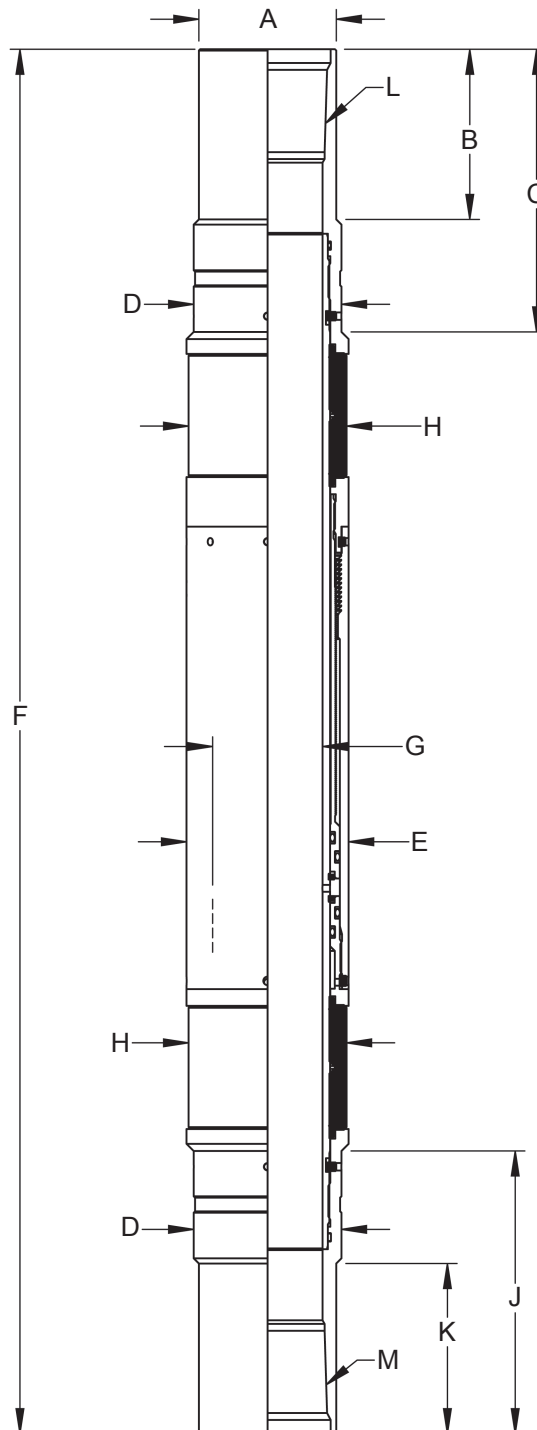
The MultiStim MegaSeal Open Hole Packer is designed with performance specifications that equals the liner casing. MultiStim Fracturing Isolation System components are designed and manufactured to API Q1 standards at our certified manufacturing facility.



MultiStim Fracture Isolation System
MultiStim MegaSeal Open Hole Packer

Dim.	(in)	(mm)
A	5.00	127.00
B	6.20	157.50
C	10.30	261.60
D	5.38	136.65
E	5.90	149.86
F	50.40	1281.20
G	4.00	101.60
H	5.75	146.05
J	10.30	261.60
K	6.20	157.50
L	4.500 8RL	
M	4.500 8RL	

Tool Ratings		
Rating	Value	
Burst	10,700 psi	73,800 kPa
Collapse	5,750 psi	39,640 kPa
Tensile	250,000 lbs	111,200 daN
Activation Pressure	1,425 – 1,575 psi	9,825 – 10,850 kPa



This document contains copyrighted and confidential information of Logan Completion Systems, and is revealed for limited purposes. This document is the property of Logan Completion Systems and is to be returned to Logan Completion Systems upon request. It may not be reproduced, used, or disclosed to persons not having a need to know that is not consistent with the purpose of this document without the written consent of Logan Completion Systems. This document is not to be rented, loaned, or sold, either alone or in conjunction with equipment or product.